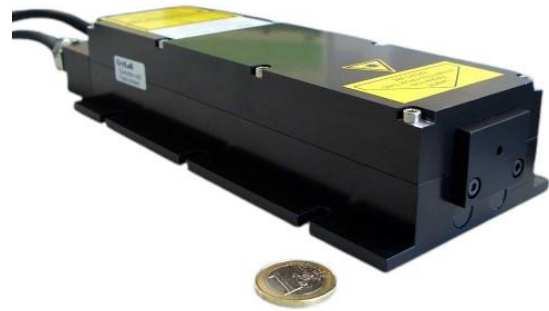


# FQSS 266-50

Diode pumped passively Q-switched solid state laser

- 266 nm
- single pulse
- < 1.1 ns
- 1 – 100 Hz
- > 50  $\mu$ J

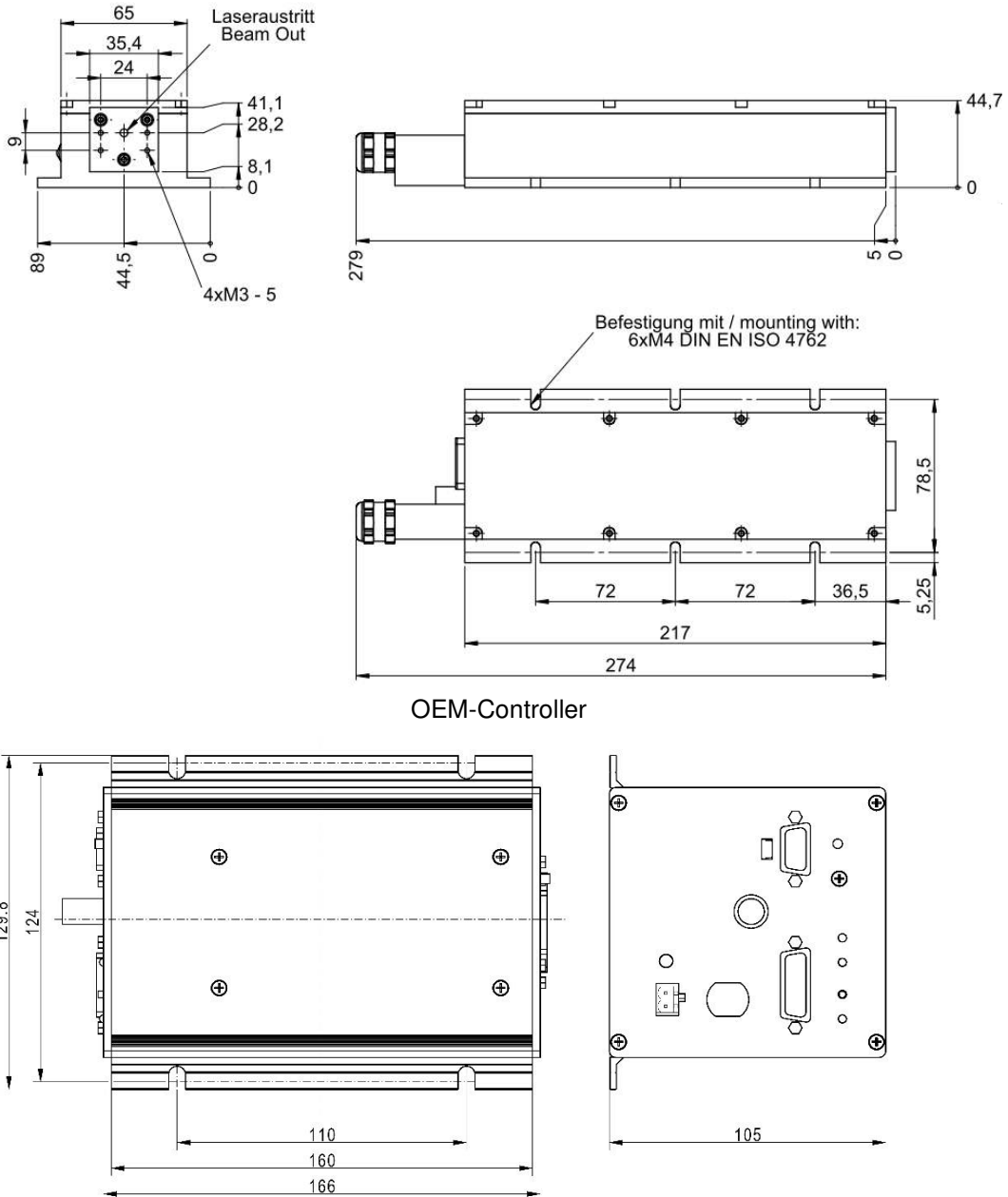


## biology · biomedicine · chemistry · analytics

<b>Optical Data</b>	Wavelength	266 nm
	Spatial Mode	TEM <sub>00</sub>
	M <sup>2</sup>	< 1.5
	Beam Divergence (full angle)	< 3.0 mrad
	Beam Ellipticity	< 1.5 : 1
	Waist Diameter	800 ± 200 $\mu$ m (located at about 110mm inside the laser head)
	Beam Diameter	800 ± 200 $\mu$ m (at laser exit)
	Peak Power	> 45 kW @ 1 - 100 Hz
	Pulse Energy	> 50 $\mu$ J @ 1 - 100 Hz
	Pulse Repetition Rate (with external trigger)	1 - 100 Hz
	Pulse Width (FWHM)	< 1.1 ns
	Polarization Ratio	> 100:1, vertical
	Long term pulse energy stability (6 hours) <sup>1)</sup>	< ± 3 %
	Pulse-To-Pulse Stability <sup>2)</sup>	< 1 % rms
	Laser Classification	4 / IV
Residual Emission	< 0.5 mW @ 1064 nm (Class 3R) < 0.1 mW @ 532 nm (Class 2)	
<b>Optical Output</b>	Free Beam	
<b>Electrical Data</b>	Electrical Power Consumption	< 70 W
	Line Voltage	100 - 240 V AC (50-60 Hz) or 24 V DC
<b>Interface</b>	RS 232, USB	
<b>Miscellaneous</b>	Warm-up Time	< 15 min
	Operating Temperature	18 - 38 °C
	Laser Head Size	217 x 65 x 45 mm (core dimensions)
<b>Options</b>	Synchronization signal output (rise time < 2 ns)	
	Manual shutter or electrical beam blocker	
	Manual or electrical driven wavelength switch 266 nm / 532 nm	
	External telescope (e.g. M=5)	
	Manual or electrical attenuator	
Stand Alone System (incl. key-switch, heat sink, manual shutter; CDRH compliant)		

<sup>1)</sup> Drift over 6 hours, energy averaged over 10 sec after 5 min of continuous operation, temperature variation < 3 °C/hour.  
<sup>2)</sup> RMS over 1000 pulses after 5 min of continuous operation.

# Laser Head and Controller



## Laser Safety Labels

The FQSS266-50 lasers are class 4 / IV according to IEC 60825-1:2014

<p>wavelength: 266 nm  max. output: 400 µJ  pulse duration: &lt;1,3 ns  max. repetition rate: 200 Hz</p> <p>Complies with IEC 60825-1:2014  Complies with 21CFR 1040.10 and 1040.11  except for deviations pursuant to  Laser Notice No. 50, dated July 26, 2001</p>	<p><b>DANGER - INVISIBLE  LASER RADIATION  AVOID EYE OR SKIN  EXPOSURE TO DIRECT OR  SCATTERED RADIATION</b></p> <p><b>CLASS 4 LASER PRODUCT</b></p>	<p>LASER  RADIATION  IS EMITTED FROM THIS  APERTURE</p>
--	--	---

